

Statt Black Week hier die **Platin(et) Week: Special-Offer 1 von 4** von Platinet bzw. deren Unter-Marke Omega

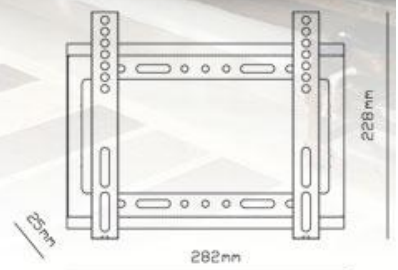
Nutzen Sie Ihr Geld lieber für einen guten Fernseher,
und sparen Sie bei den Wand- und Deckenbefestigungen - trotz Qualität!

Omega

FIXED WALL TV MOUNT

TV WALL MOUNT + HDMI CABLE

- Fit for most 14"-42" flat panel TVs
- VESA: 100X100, 100x200, 200x200
- Mounting profile: 25 mm
- Support flat panel TVs up to 25kg/55lbs



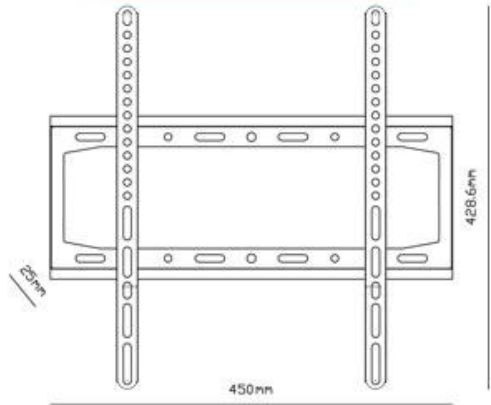
OUTV200B27 WITHOUT HDMI CABLE / OUTV200B27HDMI WITH HDMI CABLE



OUTV20050S

TV WALL MOUNT

- Fit for most 14"-42" flat panel TVs
- VESA: 100X100, 100x200, 200x200, 400x400
- Mounting profile: 25 mm
- Support flat panel TVs up to 45kg/99lbs



CEILING TV MOUNT



94,5-154cm



20kg/66lbs



VESA
Compatible

50x50, 100x100,
200x200



-15°~+15°, 360°

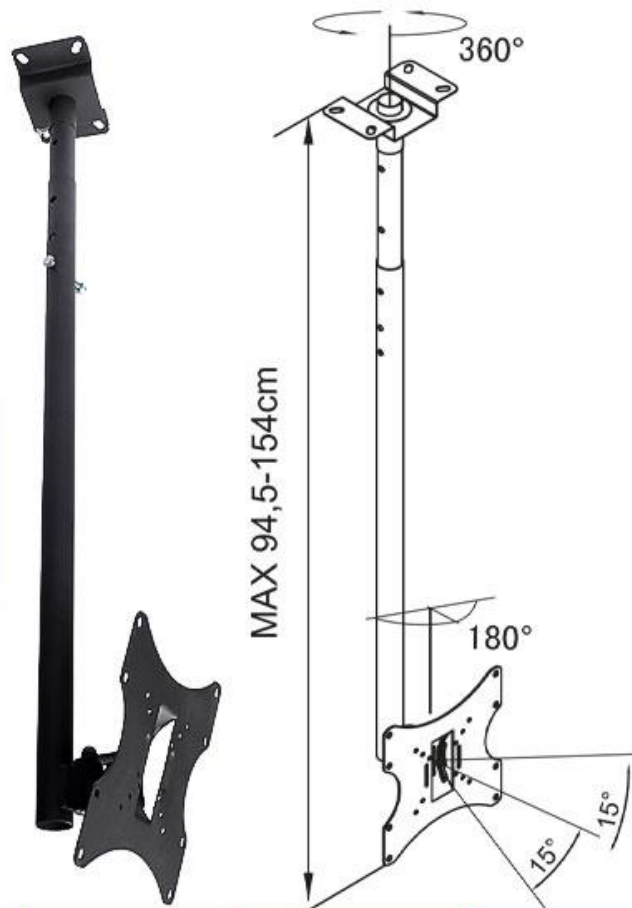


Cable
Management

OUTV200C

TV CEILING MOUNT

- The hidden cable management integrated in pole easily conceals beneath channel covers
- Adjustable height for different needs
- Fit for most 17"-32" LED, 3D LED, LCD TVs
- -15° ~+15° tilt; 360° swivel
- VESA compliant: 50X50, 100X100, 200X200
- Mounting profile: 94,5-154cm
- Support flat panel TVs up to 20kgs/66lbs



CEILING
grip

HIGHEST
17"-32"
MAX VESA 200X200

Three Times
Strength
Tested

Omega OUTV200B27

Price: **6,20 EURO** (UVP 9,99 Euro, inkl. MwSt.)

EAN: 5907595442398

Verfügbar: über 4000

VPE: 26

Delivery Time: ~7-10 Tage

Omega OUTV200B27HDMI

Price: **8,10 EURO** (UVP 12,99 Euro, inkl. MwSt.)

EAN: 5907595454551

Verfügbar: über 1500

VPE: 5

Delivery Time: ~7-10 Tage

Omega OUTV20050S

Price: **8,10 EURO** (UVP 12,99 Euro, inkl. MwSt.)

EAN: 5907595442404

Verfügbar: über 4000

VPE: 18

Delivery Time: ~7-10 Tage

Omega OUTV200C

Price: **22,20 EURO** (UVP 34,99 Euro, inkl. MwSt.)

EAN: 5907595425261

Verfügbar: über 500

VPE: 8

Delivery Time: ~7-10 Tage

Please send your orders to: auftragsbearbeitung@ntp-gmbh.com

All prices are plus statutory VAT

Interested in more?

Here you can see an overview of the NTP-Assortments:

www.new-tech-products.com/products/pdf/NTP-Products-Overview.pdf



Best Regards

Rolf Olejniczak-Burkert
New-Tech-Products Handels GmbH

Phone : +49 (0) 7308 / 811 00 - 0 (Zentrale)
Fax : +49 (0) 7308 / 811 00 - 19
www.new-tech-products.com

Nersinger Straße 14-16 • 89275 Elchingen • Germany
Sitz Ulm - HRB 4496 Amtsgericht Ulm
Geschäftsführer: Rolf Olejniczak-Burkert
UST-IDNr.: DE813398643

Should you (%Email%) no longer need this Email-Newsletter,
just reply with [REMOVE](#) in the subject line.